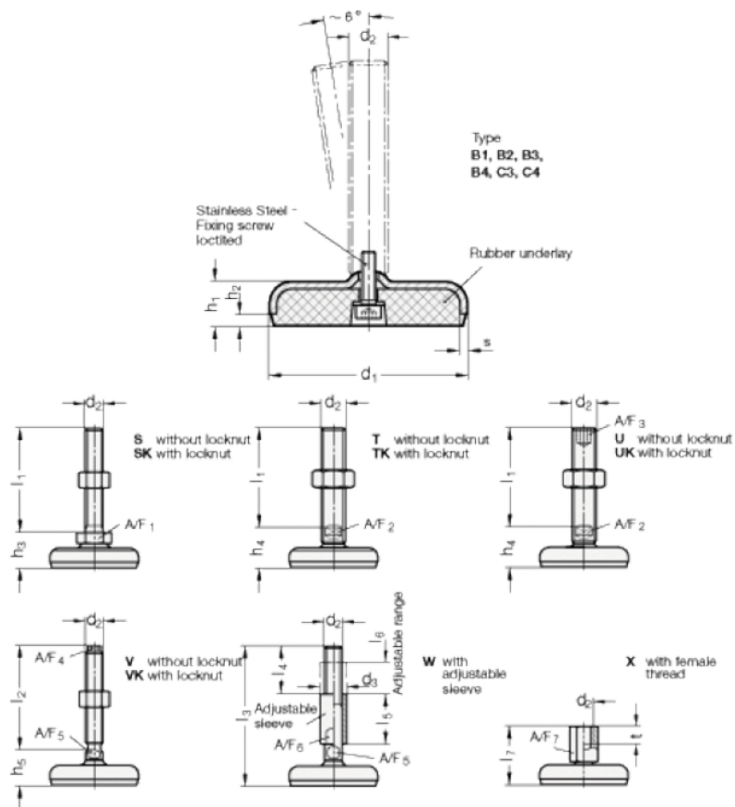


Article number: 2031100M24200C4V

Description: E+G levelling foot
GN 31-100-M24-200-C4-V

Note: V Without nut, External hexagon at the top, Wrench flat at the bottom

Measures



A/F4	= 17	s = 3
A/F5	= 20	
d1	= 100	
d2	= 24	
h1	= 20	
h2	= 6	
h5 +4.0/0	= 35	
l2	= 200	